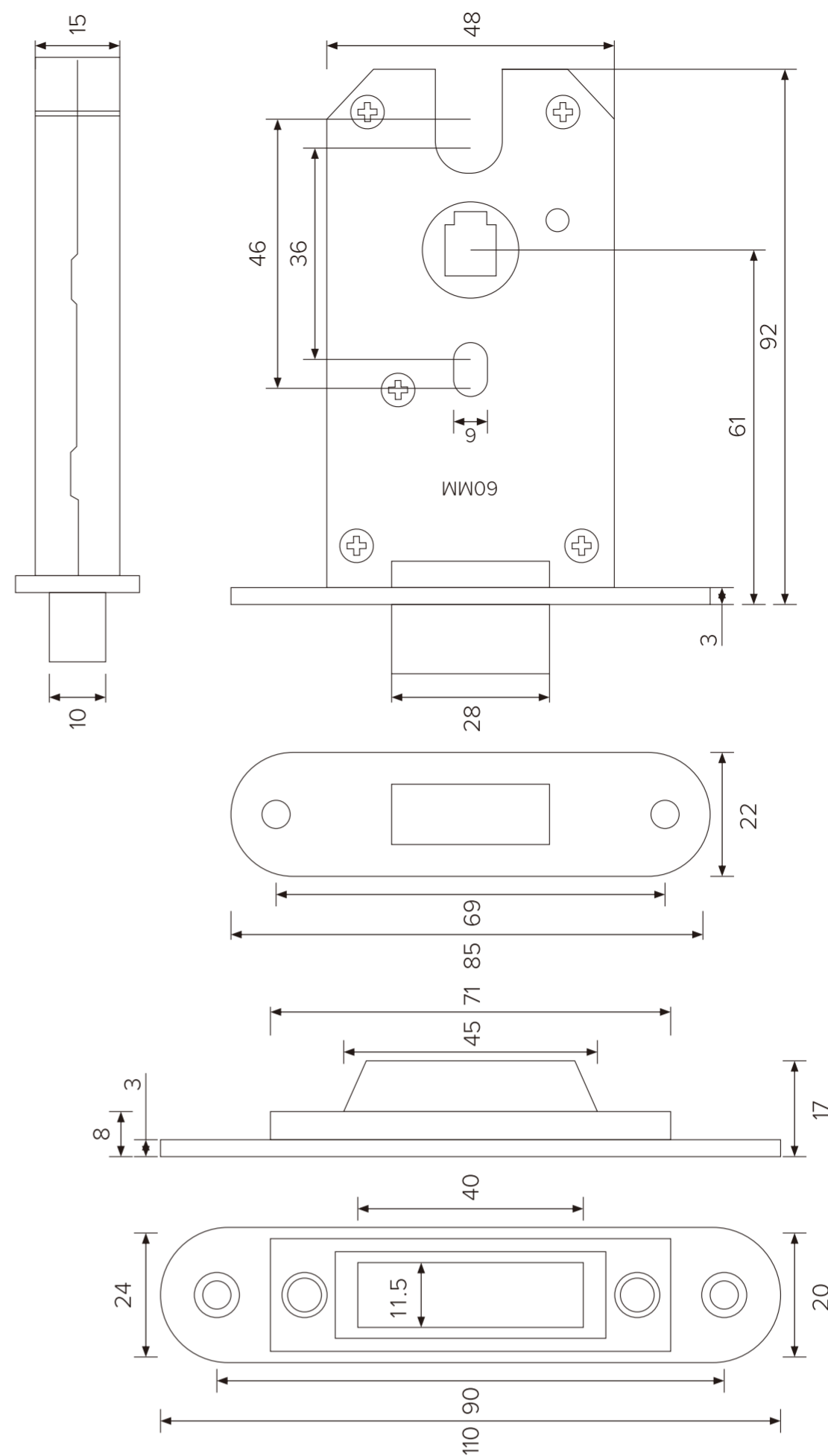


Installation Dimension Diagram of the T-series Lock Body (1:1)



Installation Dimension Diagram of the T-series Lock Body (1:1)

ACCESSIONAL INSTRUCTION

- 1: The T-series products are suitable for doors with a thickness of 40-60MM.
- 2: Make corresponding installation holes on the door according to the lock body and the lock strike box. (Drill holes on the door according to the actual size of the lock body. For the detailed size of the lock body, please refer to the instructions of the lock body on the back.)
- 3: Set the direction of the inclined latch according to the direction of the door (for details, please refer to the instructions of the lock body).
- 4: Installation Steps of the Main Component

Place the lock body ⑩ in the pre-made lock body hole, fix the lock body on the door with self-tapping screws, and then fasten the decorative cover. (Note: There is a Chinese character "on" on the lock body, which must be placed at the top.)

Install the screw post of the connecting pipe on the cover plate ⑨ of the outer door handle ③ (on the side with the built-in square bar).

Align the outer door handle ③ with the newly drilled hole, insert it into the lock body hole, and correspondingly insert the two screw tubes into the two holes of the lock body ⑩.

Insert a thumbtack into the small hole on the back of the inner door handle ④, and eject the iron sheet ⑤ and the acrylic sheet ② on the surface of the door handle.

Then put the inner door handle ④ into the square bar that passes through from the outer door handle, and align the insertion strip with the hole of the knob ⑥ (rotate the knob ⑥ to facilitate the insertion of the insertion strip).

Put the connecting screws ⑦⑧ into the holes of the inner door handle ④, align them with the connecting pipe of the outer door handle, and then tighten them with a screwdriver.

Put the ejected iron sheet ⑤ and acrylic sheet ② back into the door handle ④ again.

Adjust the inner and outer door handles. If they can be pressed down and rebound flexibly, the installation is completed.

INSTRUCTIONS FOR T-SERIES LOCKS

voluntary standards:QB/2474-2017



ACCESSIONAL INSTRUCTION

- 1: The T-series products are suitable for doors with a thickness of 40-60MM.
- 2: Make corresponding installation holes on the door according to the lock body and the lock strike box. (Drill holes on the door according to the actual size of the lock body. For the detailed size of the lock body, please refer to the instructions of the lock body on the back.)
- 3: Set the direction of the inclined latch according to the direction of the door (for details, please refer to the instructions of the lock body).
- 4: Installation Steps of the Main Component

Place the lock body ⑩ in the pre-made lock body hole, fix the lock body on the door with self-tapping screws, and then fasten the decorative cover. (Note: There is a Chinese character "on" on the lock body, which must be placed at the top.)

Install the screw post of the connecting pipe on the cover plate ⑨ of the outer door handle ③ (on the side with the built-in square bar).

Align the outer door handle ③ with the newly drilled hole, insert it into the lock body hole, and correspondingly insert the two screw tubes into the two holes of the lock body ⑩.

Insert a thumbtack into the small hole on the back of the inner door handle ④, and eject the iron sheet ⑤ and the acrylic sheet ② on the surface of the door handle.

Then put the inner door handle ④ into the square bar that passes through from the outer door handle, and align the insertion strip with the hole of the knob ⑥ (rotate the knob ⑥ to facilitate the insertion of the insertion strip).

Put the connecting screws ⑦⑧ into the holes of the inner door handle ④, align them with the connecting pipe of the outer door handle, and then tighten them with a screwdriver.

Put the ejected iron sheet ⑤ and acrylic sheet ② back into the door handle ④ again.

Adjust the inner and outer door handles. If they can be pressed down and rebound flexibly, the installation is completed.

INSTRUCTIONS FOR T-SERIES LOCKS

voluntary standards:QB/2474-2017

