

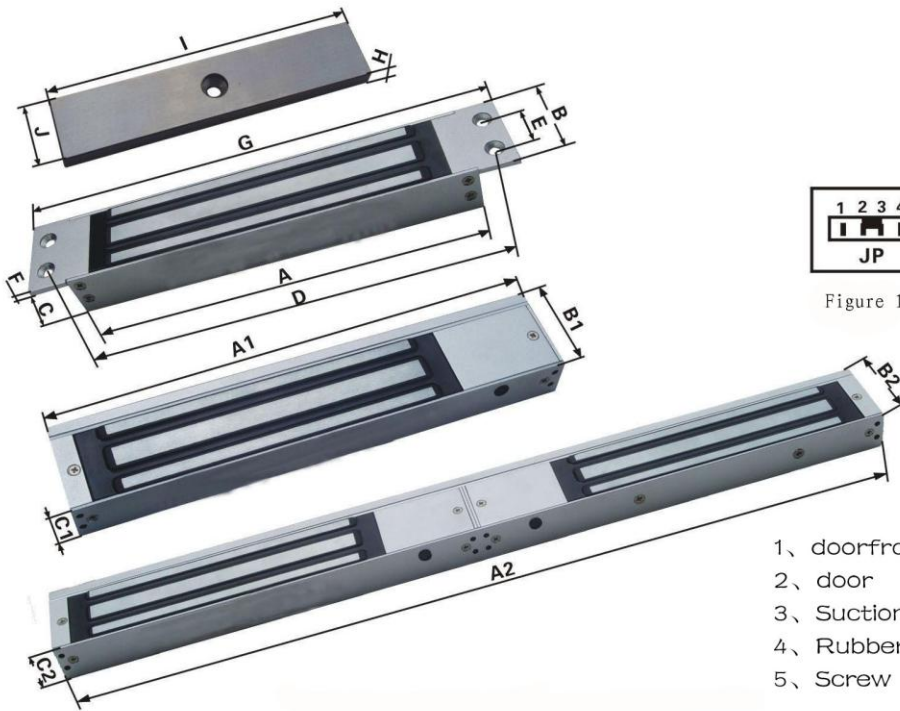
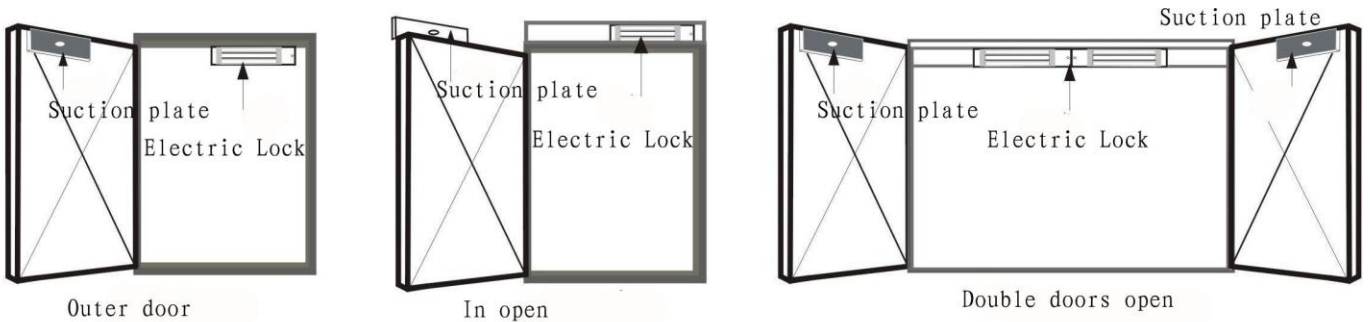
Magnetic Lock Installation Manual

Welcome to my company Series Electric Bolt; use, please read this manual, If in doubt please consult factory.

Scope: magnetic locks are widely used in security doors, fire doors and other building intercom systems engineering.

Product Benefits: The company produces magnetic locks are making use of professional magnetic materials and special treatment, long working hours does not produce residual magnetism, not afraid of long-term use after the suction plate is magnetized lead to reduced suction, the product no mechanical failure, no wear, no noise and long service life. Frameless glass doors can choose to install matching support bracket.

Open method: 90 degrees



Parameters

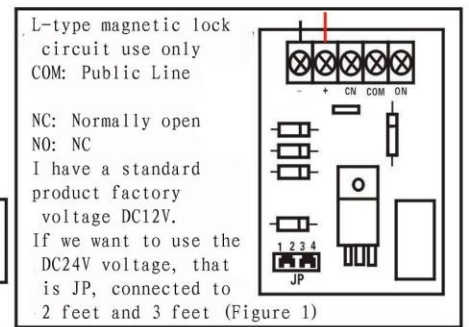
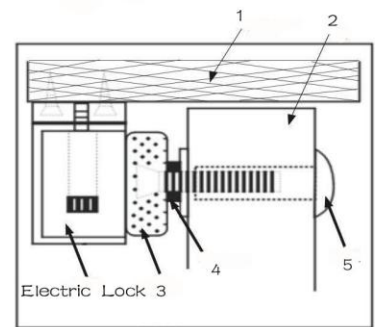


Figure 1

Wiring Diagram



Installation Diagram

Series Model	Size (mm)											Performance		
Dark series	A	B	C	D	E	F	G	H	I	J	Voltage DC	Current mA	Output	
180KG	158	35	17.5	182	20	3.5	198	11	130	32	12	380	NO	
280KG	205	42	21.5	228	20	3.5	245	12	185	38	12/24	500/250	NO	
Ming equipment	A1	B1	C1											
180KG	170	40	21					11	130	32	12	380	NO	
280KG	251	48	25					12	185	38	12/24	500/250	Have	
Double Door	A2	B2	C2											
180KG	340	40	21					11	130	32	12	760	NO	
280KG	502	48	25					12	185	38	12/24	1000/500	Have	