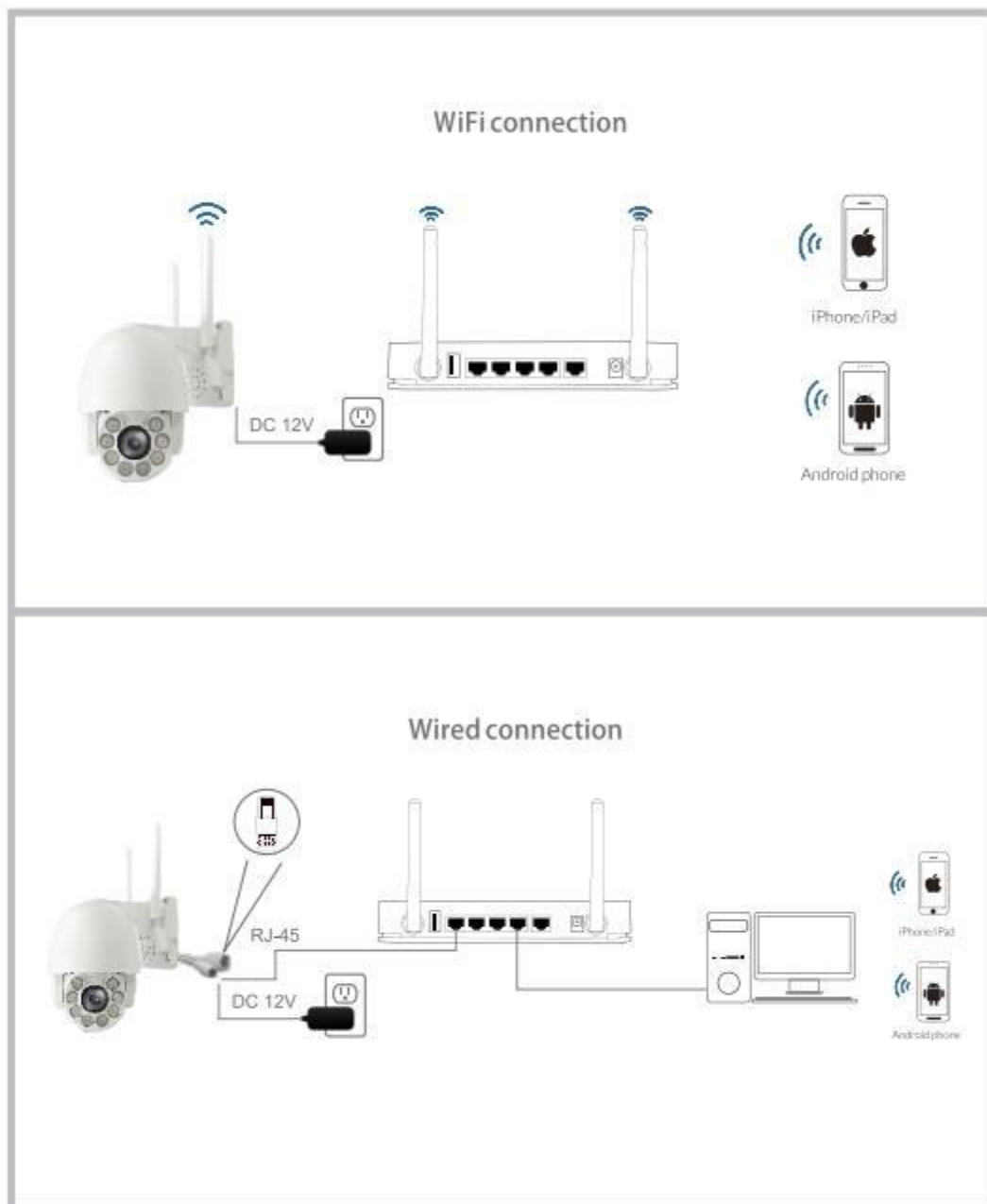


## Pajungimo variantai



Parsisiųskite ir užsiregistruokite programėlėje **Tuya app**:

**Android:** [Parsisiųsti](#)

**iOS:** [Parsisiųsti](#)

Žemiau rasite konfigūravimo gidą, kurio pagalba susikonfigūruosite kamerą savo telefone, programėlėje Tuya



# Add Manually

Auto Scan



- Lighting
- Sensors
- Large Home Ap...
- Small Home Ap...
- Kitchen Appliances
- Exercise & Health

## Video Surveillance



Smart Camera (Wi-Fi)



Smart Camera (Dual Band)



Smart Camera (BLE)



Smart Camera (4G)



Smart Doorbell



Floodlight Camera



Base Station



NVR



DVR

## Security & Video Sur...

## Smart Lock

- Gateway Control
- Outdoor Travel
- Energy
- Entertainment
- Industry & Agriculture



Lock (Wi-Fi)



Lock (Zigbee)



Lock (BLE)



Lock (NB-IoT)

## Photo lock

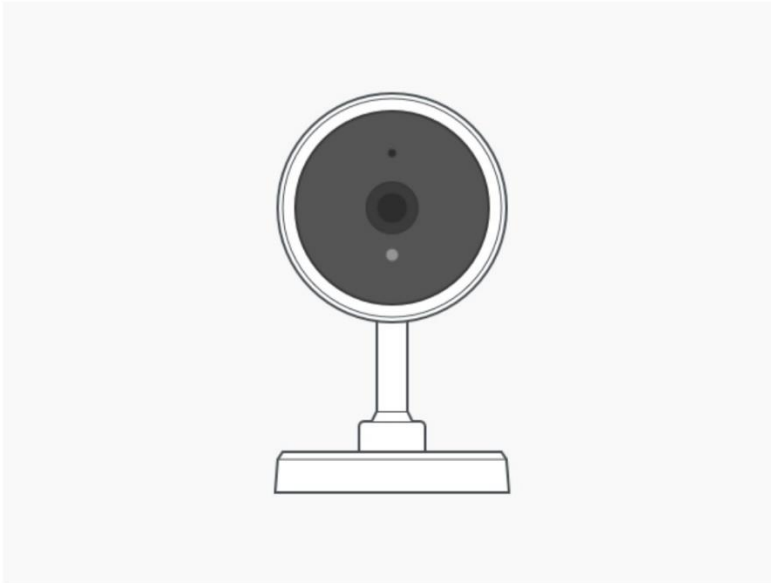


Cancel

QR Code ⇌

## Reset the device first.

Power on the device and make sure the indicator is flashing rapidly or a prompt tone is heard.



Perform net pairing as prompted. >

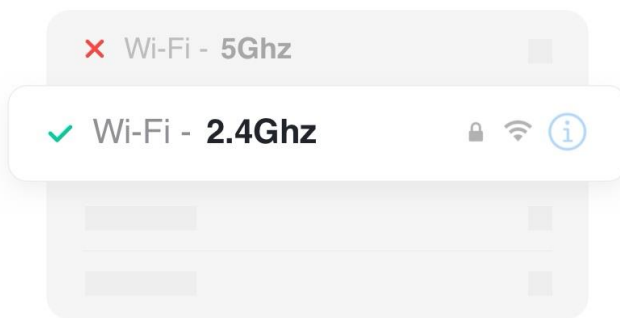
- Make sure the indicator is flashing quickly or a prompt tone is heard

Next

Cancel

## Select 2.4 GHz Wi-Fi Network and enter password.

If your Wi-Fi is 5GHz, please set it to be 2.4GHz.  
[Common router setting method](#)



Wi-Fi 20212021 ⇌

🔒 \*\*\*\*\* 🔍

Next

Cancel



Please scan the QR code from 15 to 20 cm away



No Prompts

I Heard a Prompt

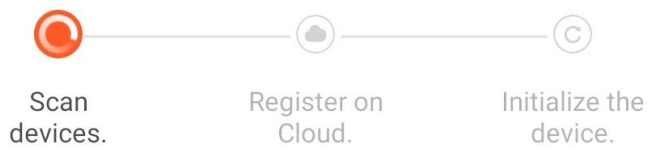
Cancel

## Adding device...

Ensure that the device is powered on.



01:58





# Tuya smart wifi Camera



Camera

Signal: 80%



Screenshot



Speak



Record



Playback



Cloud storage



Direction